

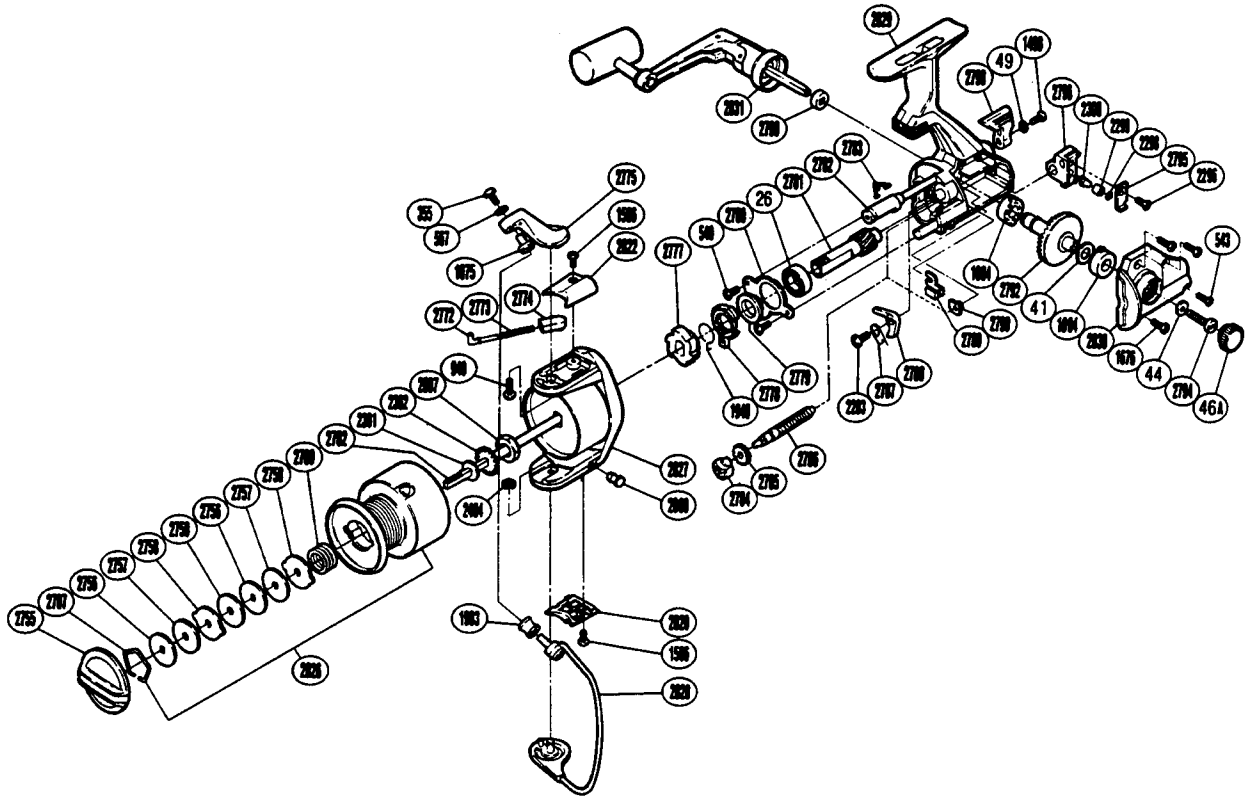
**EXPLODED PARTS VIEW**



**SHIMANO**

**1990 REPAIR MANUAL**

Shimano American Corporation, One Shimano Dr.  
Irvine, CA 92718



**TO ORDER: USE RD PREFIX  
WITH PART NUMBER**

**PARTS LIST**

| RD #  | DESCRIPTION                  | RD # | DESCRIPTION             | RD # | DESCRIPTION              |
|-------|------------------------------|------|-------------------------|------|--------------------------|
| 0026  | Ball Bearing                 | 2362 | Spool Support           | 2785 | Idle Gear                |
| 0041  | Drive Gear Washer            | 2404 | Idle Gear Retainer      | 2786 | Worm Shaft               |
| 0044  | Handle [Screw] Lock Washer   | 2707 | Drag Washers Retainer   | 2787 | Anti-Reverse Pawl Spring |
| 0046A | Handle Screw Cap             | 2755 | Drag Knob               | 2788 | Anti-Reverse Pawl        |
| 0049  | Lock Washer                  | 2756 | Key Washer              | 2789 | Worm Shaft Retainer      |
| 0355  | Line Roller Screw [Nylock]   | 2757 | Drag Washer 1           | 2790 | Worm Bearing [Rear]      |
| 0540  | Anti-Reverse Pawl Screw      | 2758 | Eared Washer            | 2792 | Drive Gear               |
| 0543  | Side Cover Screw [B]         | 2759 | Drag Washer 2           | 2794 | Handle Lock Screw        |
| 0567  | Lock Washer                  | 2760 | Drag Coil Spring        | 2795 | Oscillating Pawl Cover   |
| 0940  | Bail Trip Cam Screw          | 2762 | Main Shaft              | 2796 | Oscillating Slider       |
| 1004  | Bushing A                    | 2772 | Bail Spring Guide [A]   | 2797 | Anti-Reverse Lever       |
| 1075  | Line Roller Washer           | 2773 | Bail Spring             | 2799 | Handle Lock Spacer       |
| 1490  | Anti-Reverse Lever Screw     | 2774 | Bail Spring Guide [B]   | 2807 | Rotor Nut                |
| 1506  | Bail Spring Cover Screw      | 2775 | Bail Arm                | 2809 | Rotor Plug               |
| 1676  | Side Cover Screw             | 2777 | Anti-Reverse Ratchet    | 2820 | Rotor Cover              |
| 1948  | Anti-Reverse Lock Out Spring | 2778 | Anti-Reverse Lock Out   | 2822 | Bail Spring Cover        |
| 1983  | Sic Ceramic Roller           | 2779 | Pinion Spacer           | 2826 | Spool Assembly           |
| 2283  | Anti-Reverse Pawl Screw      | 2780 | Bearing Retainer        | 2827 | Rotor                    |
| 2296  | Slider Retainer Screw        | 2781 | Pinion Gear             | 2828 | Bail Assembly            |
| 2298  | Spacer                       | 2782 | Anti-Reverse Cam        | 2829 | Body                     |
| 2299  | Oscillating Slider Bushing   | 2783 | Anti-Reverse Cam Spring | 2830 | Side Cover               |
| 2300  | Oscillating Pawl             | 2784 | Worm Bearing [Front]    | 2831 | Handle Assembly          |